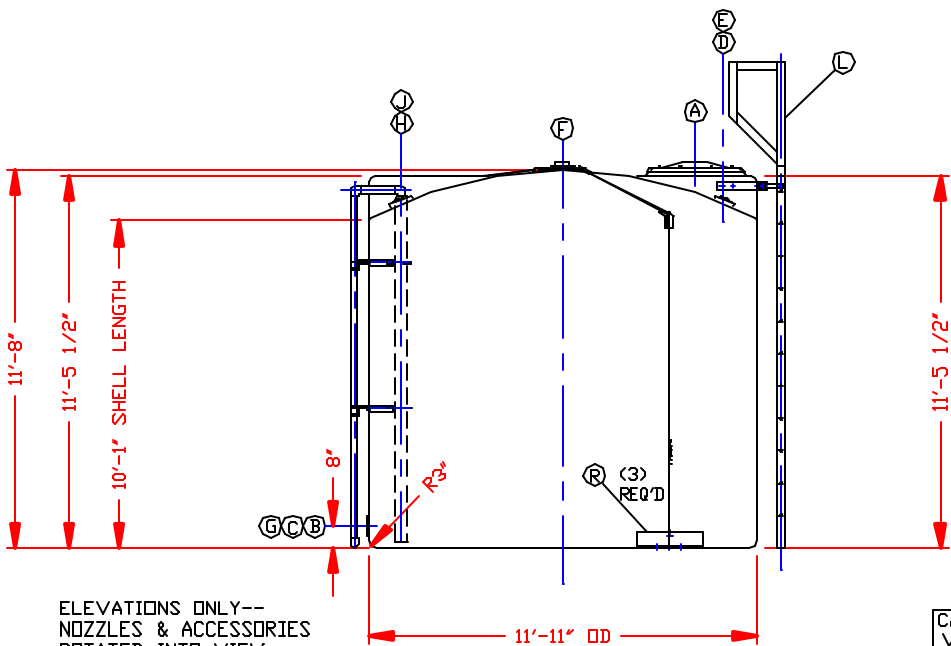


RUNWAY DETAIL  
(2) PLACES



ELEVATIONS ONLY--  
NOZZLES & ACCESSORIES  
ROTATED INTO VIEW--  
FOR TRUE ORIENTATION  
SEE PLAN VIEW

CALCULATED CAPACITIES/ VOLUME IN U.S. GALLONS		
DESIGN CAP	DOME VOL	TOTAL VOL
8249	675	8924

NOZZLE SCHEDULE & ACCESSORIES						
SERVICE	MK	STOCK NO.	SIZE	FITTING	DEG	ELEV
MANWAY	A	3218	24"	(8) BOLT COVER/PE	0°	DOME
DRAIN	B	2078	3"	BOLTED FLANGE FITTING/PVC W/BOLTS/TI W/GSKT/VITON	105°	8'
HYPD INLET	C	2078	3"	BOLTED FLANGE FITTING/PVC W/BOLTS/TI W/GSKT/VITON	135°	8'
LEVEL SENSOR	D	2828	2"	UNIVERSAL BALL DOME FITTING/PVC W/BOLTS/TI W/GSKT/VITON	30°	DOME
AIR IN	E	2828	2"	UNIVERSAL BALL DOME FITTING/PVC W/BOLTS/TI W/GSKT/VITON	200°	DOME
VENT	F	2100	4"	BOLTED FLANGE FITTING/PVC W/BOLTS/TI W/GSKT/VITON	C-C	DOME
HYPD OUTLET	G	2100	4"	BOLTED FLANGE FITTING/PVC W/BOLTS/TI W/GSKT/VITON	90°	8'
SIGHT GAGE	H	3356	2"	FLOAT TYPE SIGHT GAGE/PVC W/UNIVERSAL BALL DOME FITTING/PVC W/GSKT/VITON	260°	DOME
		4709		W/(2) COMBINATION PIPE SUPP'T/PE/SS W/BOLTS/TI		
		3205		W/GSKT/VITON		
		2759		W/GSKT/VITON		
FILL LINE	J	2848	3"	UNIVERSAL BALL DOME FITTING/PVC W/BOLTS/TI W/GSKT/VITON	315°	DOME
LADDER	L	5720	--	11 FT LADDER W/RETURN/FRP W/ATTACHMENT BRACKET/316SS	0°	TOP SIDE WALL
		99999997		W/BOLTS TI W/GSKT/VITON		
WIND RESTRAINT	R	99999997	--	130 MPH WIND RESTRAINT SYSTEM CONSISTING OF: (3) RC 6 X 6 X 1/2 X 24 CLIPS (3) EDGE SOFTENERS W/1/4 X 18 X 3 CABLE SLING, CABLE, CLIPS, THIMBLES, SWAGES, TURNBUCKLES & EYEBOLTS/316SS	60° 180° 300°	DOME & BTM SIDE WALL
		5640				

- NOTES: 1. THIS IS A COMPUTER GENERATED DWG. DO NOT REVISE BY HAND.  
2. DIMENSIONS WILL VARY ±3% DUE TO VARIATIONS IN MULTIPLE MOLDS & CONDITIONS PREVALENT DURING MANUFACTURE & USAGE.  
3. MOLDED IN GALLONAGE MARKERS @ APPROX 6 1/2" UP TO 6800 GAL.  
4. TANK DESIGNED FOR 1.35 SpG MAT'L @ 100°F/ATMOS PRESSURE.  
5. TAG ALL PAPERWORK! MARGATE EAST SIDE.

- REV "A" MARK B WAS LOCATED @ 90° BY:MBW 12/21/01 CK:JB  
REV "B" MARK D WAS LOCATED @ 120°/DID SAY "2" BLTD FLG." BY:MBW 12/21/01 CK:JB  
REV "C" MARK E WAS LOCATED @ 240°/DID SAY "BLTD FLG." BY:MBW 12/21/01 CK:JB  
REV "D" MARK G WAS LOCATED @ 45° BY:MBW 12/21/01 CK:JB  
REV "E" MARK H WAS LOCATED @ 270° BY:MBW 12/21/01 CK:JB  
REV "F" MARK J WAS LOCATED @ 240° & HAD EXTERIOR PIPE BY:MBW 12/21/01 CK:JB  
REV "G" MARK L DID SAY "MILD STEEL..." BY:MBW 12/21/01 CK:JB  
REV "H" MARK R DID SAY "CARBON STEEL..." BY:MBW 12/21/01 CK:JB  
REV "J" ALL GASKETS WERE "EPDM" BY:MBW 12/21/01 CK:JB  
REV "K" MARK D DID SAY "4" BY:MBW 1/22/02 CK:JB  
REV "L" MARK E DID SAY "4" BY:MBW 1/22/02 CK:JB  
REV "W" ADDED DR-100D LINER, CHANGED COLOR TO BLACK BY:MBW 2/19/02 CK:JB

DWG TITLE  
**8200 GALLON UPRIGHT TANK - TANK #1**

EAST MARGATE SERVICE: SODIUM HYPOCHLORITE  $\Delta$  1.35 SpG/XLPE V/DR-100D LINER/BLACK STOCK NO. 41008200111

SCALE: 1/4"=1'-0"

DATE: 10/17/01

DR: MB WILKERSON  
CKG: J. BRANTLEY

CLORTEC, DIVISION OF CAPITOL CONTROLS GROUP PO# C2872

SHEET 1 OF 1 COMPUTER FILE C2872A REV M